

Crossed Roller Guiding ▶ X-Axis and XY-Axis ▶ Aluminum Alloy

Crossed Roller Stages | 60*60

MX60-AC



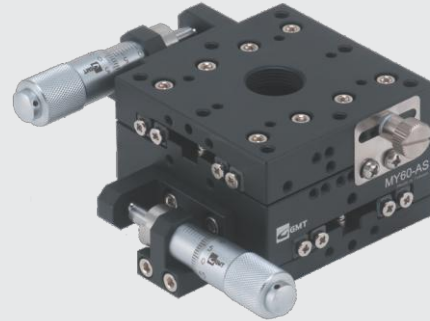
MX60-AS



MY60-AC



MY60-AS



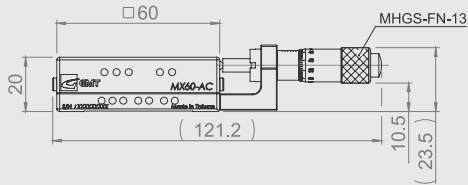
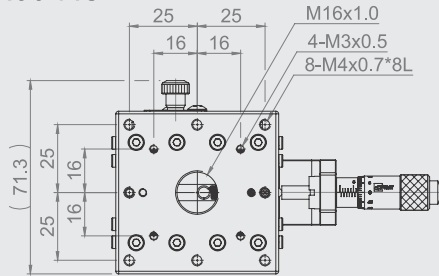
Unit : mm

Model No.	Table Size	Axis	Feed Position	Travel Stroke	Micrometer Minimum Reading (μm)	Straightness Accuracy (μm)	Allowable Loading (kgf)	Weight (kg)	Material	Surface Finish
MX60-AC	60*60	X-axis	Central	±6.5	10	3	5	0.25	Aluminum alloy	Black anodized
MX60-AS			Side							
MY60-AC		XY-axis	Central							
MY60-AS			Side							

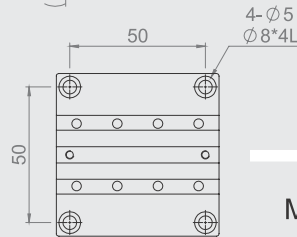
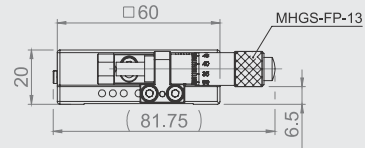
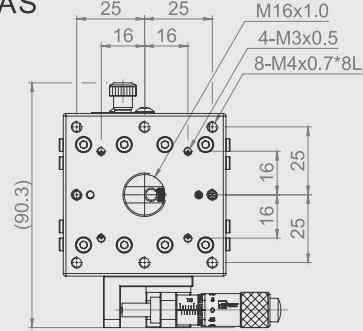
Crossed Roller Guiding ► X-Axis and XY-Axis ► Aluminum Alloy

Crossed Roller Stages | 60*60

MX60-AC

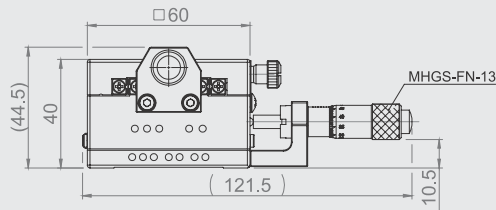
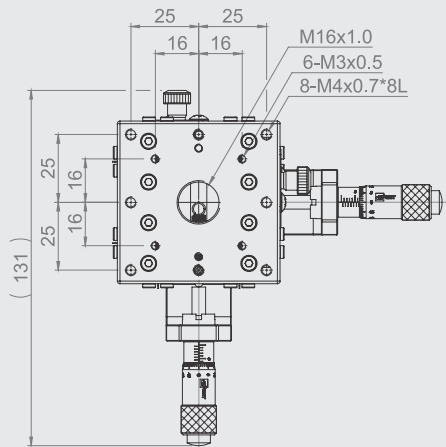


MX60-AS



MX(Y)60-A
Mounting Dimensions

MY60-AC



MY60-AS

